

SANIFICATION  
POINT



# CABRAL

the first dispenser suitable for crowded places,  
as hotels, beach resorts and wellness centers,  
available both for indoors and outdoors.



# CABRAL

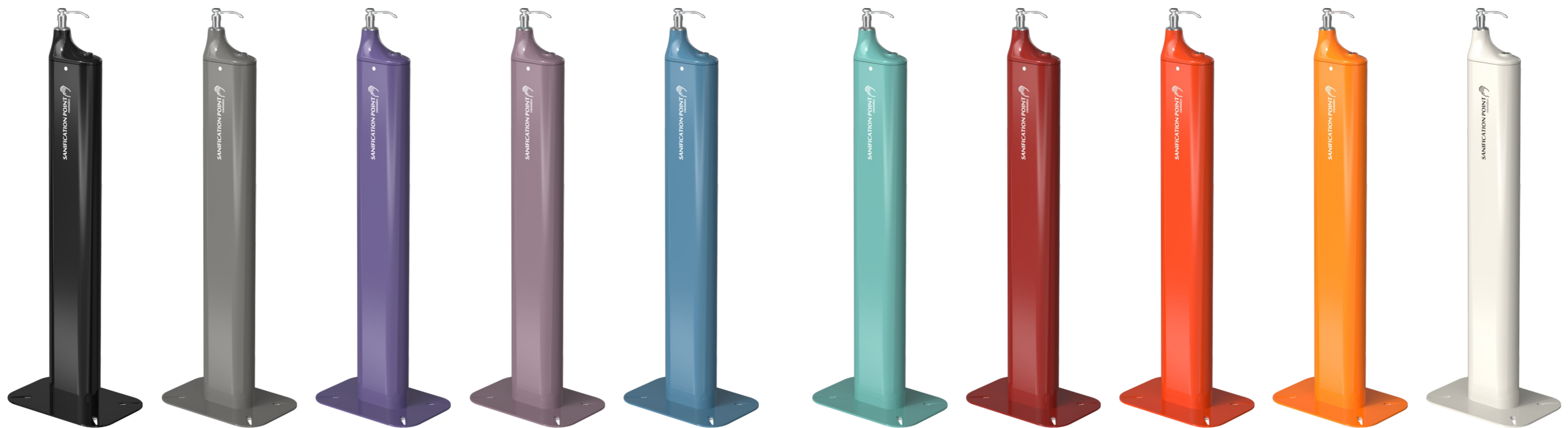
Hand sanitization operations in crowded places, such as hotels, beach resorts, parks, wellness centers, can be complicated, due to overcrowding and environmental conditions.

For this purpose, CABRAL has been conceived: available in two versions, one for indoors and one for outdoors, thanks to its unique design, it can be installed in every context, providing an essential sanitizer function.

CABRAL is available in 10 standard colours with white or black "Sanification Point" pad printing.

It comes in two versions: one simple for indoors and one for outdoors, with an aluminium internal profile and insulating material, to offer a further protection to the sanitizer.

CABRAL is equipped with a base plate: it can either be simply positioned on the floor or, if securing and stability are needed, the pre-drilled holes on the base allow fixing through dowels. An accessory for implantation on soft soils, such as sand, is available.



RAL 9005

RAL 9007

RAL 4005

RAL 4009

RAL 5024

RAL 6027

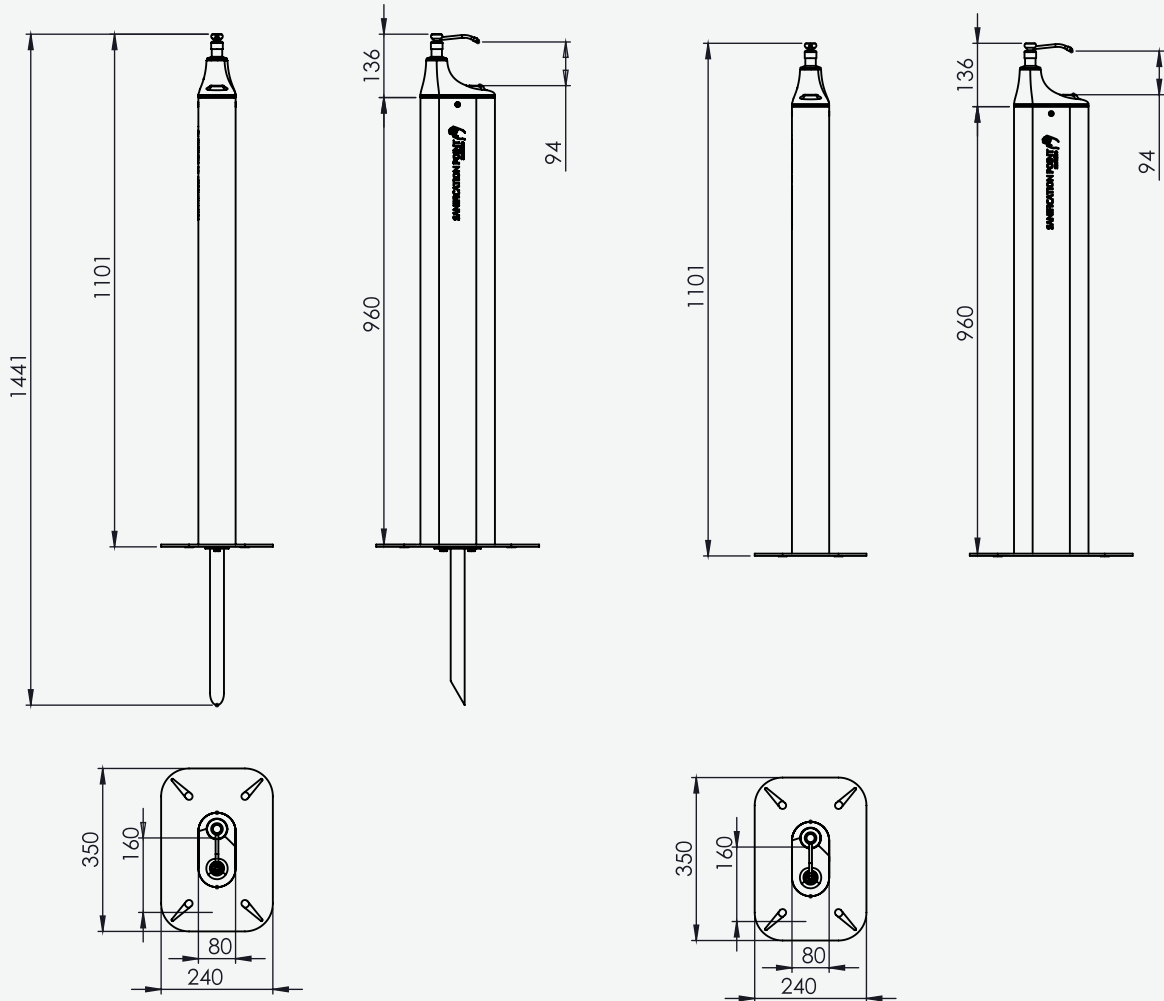
RAL 3000

RAL 2004

RAL 1028

RAL 9010

\*Dispensing spout with chromed finish.  
Images are purely indicative, it can vary according to its availability.  
Dimensions: H=1135, L=350x250 mm Capacity: 10 lt  
"Sanification Point" pad printing is placed only on one side.  
It is possible to customize the other lateral side with stickers upon request.  
In case of outdoor installation with strong and prolonged sun exposure, it is recommended to place CABRAL sheltered from direct sunlight.



Measurements are purely indicative.  
CITY DESIGN reserves the right to make any changes deemed useful for CABRAL qualitative improvement.

# For more details

visit [www.citydesign.it](http://www.citydesign.it) or contact us at [info@citydesign.it](mailto:info@citydesign.it)