

## "POLARY" Litter Bin

Sheet code:

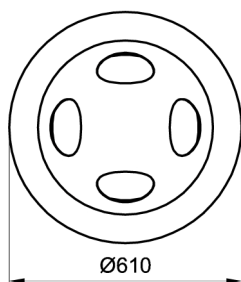
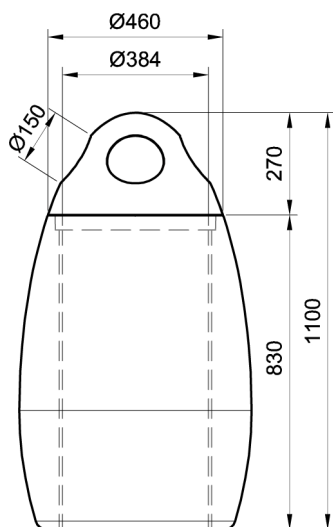
CEAR011

Drawing code:

Designer:  
Bellitalia Design Department

Revision:

02\_01/10/2015



**Product:**

ORGANIC line litter bin model "POLARY", composed by a monolithic base with a through hole, a four-holes covering, an internal bag holder and a rotating opening system.

**Dimensions:**

external diameter: 610 mm;  
maximum height: 1100 mm;  
total weight: 272 kg;  
capacity: 96 litres.

**Material:**

The bin is manufactured using white granite conglomerate. The covering and the bag holder are in steel or stainless steel.

**Reinforcing:**

The litter bin is reinforced and fitted with bushes that permit its lifting.

**Finishing:**

The element's surface can be completely sandblasted, for a rough appearance, and then covered with a transparent anti-decay coating, or, upon request, with nanotechnology and/or anti-graffiti products; otherwise it can be varnished with a glossy paint (acrylic polyurethane anti-UV) available in red, white or black. All edges are rounded or made blunt. (Please see respective material sheet).

**Handling:**

Use appropriate equipment when handling.

**Installation:**

Simply place on the flooring.